
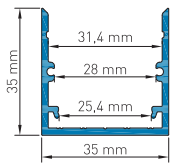
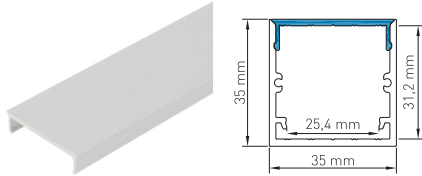


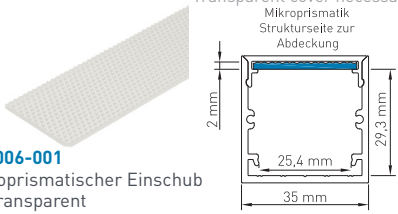
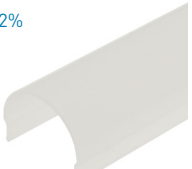

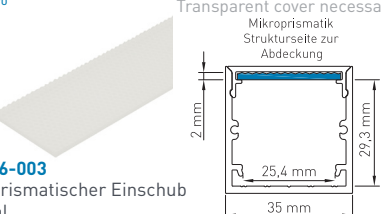


LED Profil CLR | max. LED Leistung pro Meter: 38W → 1 x Flexstrip 160 oder 2 x Flexstrip 75

ALUMINIUM PROFILE & ABDECKUNGEN ALUMINIUM PROFILES & COVERS		
 <p>AP-006-002 Natur eloxiert Natural anodized AP-006-102 Schwarz eloxiert Black anodized Aluminium Profil CLR Aluminium profile CLR</p>	 <p>AP-006-000 Aluminium Einsatz CL Aluminium inset CL</p>	 <p>AB-006-100 Aluminium Abdeckung CL Aluminium cover CL</p>

PROFIL ABDECKUNGEN UND EINSCHÜBE PROFILE COVERS AND INSETS		
<p>$\eta \approx 55\%$</p>  <p>AB-006-001 PMMA Abdeckung CL Flach Transparent PMMA cover CL flat transparent</p>	<p>$\eta \approx 45\%$</p>  <p>AB-006-003 PMMA Abdeckung CL Flach Opal PMMA cover CL flat milky</p>	<p>$\eta \approx 49\%$</p> <p>Transparente Abdeckung erforderlich Transparent cover necessary</p>  <p>MP-006-001 Mikroprismatischer Einschub CL Transparent Microprismatic Inset CL transparent</p>
<p>$\eta \approx 52\%$</p>  <p>AB-006-006 PMMA Abdeckung CL Rund Opal PMMA cover CL round milky</p>	<p>$\eta \approx 51\%$</p>  <p>AB-006-009 PMMA Abdeckung CL Eckig Opal PMMA cover CL square milky</p>	<p>$\eta \approx 46\%$</p> <p>Transparente Abdeckung erforderlich Transparent cover necessary</p>  <p>MP-006-003 Mikroprismatischer Einschub CL Opal Microprismatic Inset CL milky</p>

PROFIL ENDKAPPEN PROFILE ENDCAPS		
<p>Endkappenstärke End cap thickness 2,5mm</p>  <p>EK-006-200 Natur eloxiert Natural anodized EK-106-200 Schwarz eloxiert Black anodized CLR Flach geschlossen CLR flat closed</p>	<p>Endkappenstärke End cap thickness 2,5mm</p>  <p>EK-006-210 Profil Endkappe CLR Rund geschlossen Profile endcap CLR round closed</p>	<p>Endkappenstärke End cap thickness 2,5mm</p>  <p>EK-006-220 Profil Endkappe CLR Eckig geschlossen Profile endcap CLR square closed</p>
<p>Endkappenstärke End cap thickness 2,5mm</p>  <p>EK-006-201 Natur eloxiert Natural anodized EK-106-201 Schwarz eloxiert Black anodized CLR Flach mit Langloch CLR flat with cable entry</p>	<p>Endkappenstärke End cap thickness 2,5mm</p>  <p>EK-006-211 Profil Endkappe CLR Rund mit Langloch Profile endcap CLR round with cable entry</p>	<p>Endkappenstärke End cap thickness 2,5mm</p>  <p>EK-006-221 Profil Endkappe CLR Eckig mit Langloch Profile endcap CLR square with cable entry</p>

- 1m
- 2m
- 4m
- SONDER LÄNGE
- SPECIAL LENGTH

STANDARDLÄNGE = 2M | ALLE ANDEREN LÄNGEN SIND VOM UMTAUSCH UND DER RÜCKGABE AUSGESCHLOSSEN. LÄNGEN ÜBER 2M WERDEN MITTELS SPEDITION VERSENDET UND ERFORDERN EINE MINDESTBESTELLMENGE VON 10 STK.

STANDARD LENGTH = 2M | ALL OTHER LENGTHS ARE EXCLUDED FROM EXCHANGE AND RETURN. LENGTHS OVER 2M ARE SHIPPED BY FREIGHT CARRIER AND REQUIRE A MINIMUM ORDER QUANTITY OF 10 PCS.

HINWEIS
PLEASE NOTE

Kunststoff und Aluminium besitzen unterschiedliche Ausdehnungskoeffizienten, welche bei der Montage zu berücksichtigen sind. Ausgehend von 20°C verändert sich die Länge beim Aluminium um ca. 0,25mm pro Meter und beim Kunststoff um ca. 0,70mm pro Meter je 10°C Temperaturunterschied.

Plastic and aluminium have different expansion coefficients, which must be considered during assembly. Based on 20°C the length of aluminium changes approximately 0,25mm per meter and plastic approximately 0,70 mm per meter per 10°C of difference in temperature.

LED Profile CLR | max. LED power per meter: 38W → 1 x Flexstrip 160 or 2 x Flexstrip 75

PROFIL ZUBEHÖR PROFILE ACCESSORIES			
 <p>PZ-001-002 2m Vernickelt nickelplated PZ-001-005 5m Vernickelt nickelplated PZ-101-002 2m Schwarz Black Seilabhänger inkl. Deckenbefestigung Wire suspension incl. ceiling fixture</p>	 <p>PZ-002-001 Vernickelt nickelplated PZ-102-001 Schwarz Black Seilstopper inkl. M4 Senkkopfschraube Wire stopper incl. M4 countersunk screw</p>	 <p>EK-100-002 Torx Bit TX8 für Endkappenschrauben Torx Bit TX8 for endcap screws</p>	
 <p>PZ-006-001 Saugnapf 30mm Suction cup 30mm</p>		 <p>PZ-007-001 Montagewinkel schwenkbar Mounting angle swivelling</p>	

CLR PROFIL BESTÜCKT MIT 2 X FLEXSTRIP 36 RGB MIT EINEM LED ABSTAND VON 33MM IN KOMBINATION MIT DEN UNTERSCHIEDLICHEN ABDECKUNGEN CLR PROFILE FITTED WITH 2 X FLEXSTRIP 36 RGB WITH A LED DISTANCE OF 33MM IN COMBINATION WITH THE DIFFERENT COVERS				
PMMA Abdeckung CL Flach Transparent 91% Transmission	PMMA Abdeckung CL Flach Transp. 91% Transmission + Mikroprismatik Transp. 95% Transmission	PMMA Abdeckung CL Flach Transp. 91% Transmission + Mikroprismatik Opal 93% Transmission	PMMA Abdeckung CL Flach Opal 76% Transmission	PMMA Abdeckung CL Eckig Opal 76% Transmission
				
PMMA cover CL flat transparent 91% transmission	PMMA cover CL flat transparent 91% transmission + Microprismatic transparent 95% transmission	PMMA cover CL flat transparent 91% transmission + Microprismatic milky 93% transmission	PMMA cover CL flat milky 76% transmission	PMMA cover CL square milky 76% transmission
CLR PROFIL BESTÜCKT MIT 2 X FLEXSTRIP 72 MIT EINEM LED ABSTAND VON 16,5MM IN KOMBINATION MIT DEN UNTERSCHIEDLICHEN ABDECKUNGEN CLR PROFILE FITTED WITH 2 X FLEXSTRIP 72 WITH A LED DISTANCE OF 16,5MM IN COMBINATION WITH THE DIFFERENT COVERS				
PMMA Abdeckung CL Flach Transparent 91% Transmission	PMMA Abdeckung CL Flach Transp. 91% Transmission + Mikroprismatik Transp. 95% Transmission	PMMA Abdeckung CL Flach Transp. 91% Transmission + Mikroprismatik Opal 93% Transmission	PMMA Abdeckung CL Flach Opal 76% Transmission	PMMA Abdeckung CL Eckig Opal 76% Transmission
				
PMMA cover CL flat transparent 91% transmission	PMMA cover CL flat transparent 91% transmission + Microprismatic transparent 95% transmission	PMMA cover CL flat transparent 91% transmission + Microprismatic milky 93% transmission	PMMA cover CL flat milky 76% transmission	PMMA cover CL square milky 76% transmission
CLR PROFIL BESTÜCKT MIT 2 X FLEXSTRIP 48 ODER 72 DW MIT EINEM LED ABSTAND VON 7,15MM IN KOMBINATION MIT DEN UNTERSCHIEDLICHEN ABDECKUNGEN CLR PROFILE FITTED WITH 2 X FLEXSTRIP 48 OR 72 DW WITH A LED DISTANCE OF 7,15MM IN COMBINATION WITH THE DIFFERENT COVERS				
PMMA Abdeckung CL Flach Transparent 91% Transmission	PMMA Abdeckung CL Flach Transp. 91% Transmission + Mikroprismatik Transp. 95% Transmission	PMMA Abdeckung CL Flach Transp. 91% Transmission + Mikroprismatik Opal 93% Transmission	PMMA Abdeckung CL Flach Opal 76% Transmission	PMMA Abdeckung CL Eckig Opal 76% Transmission
				
PMMA cover CL flat transparent 91% transmission	PMMA cover CL flat transparent 91% transmission + Microprismatic transparent 95% transmission	PMMA cover CL flat transparent 91% transmission + Microprismatic milky 93% transmission	PMMA cover CL flat milky 76% transmission	PMMA cover CL square milky 76% transmission