

# LED PWM Repeater RGBW User Manual



Item no.: LC-018-004

## 1. Brief Introduction

LED Power Repeater is suitable for all of our company's power-output style controllers' power expansion, it accepts PWM control, unlimited quantity of power repeater to be connected theoretically. Also, the power repeater of constant voltage model and constant current model could be connected freely, suitable for synchronized controlling on different LED lamps.

## 2. Specifications

Input Voltage	12-24VDC
Max. Load Current	3 channels x 3A (RGB) + 1 channel x 9A (W)
Output Signal	PWM constant voltage
Max. Output Power	3x36W + 1x108W (12V) or 3x72W + 1x216W (24V)
Product Dimension (L x B x H)	175 x 46 x 30mm
Package Dimension (L x B x H)	178 x 48 x 35mm
Weight	120g

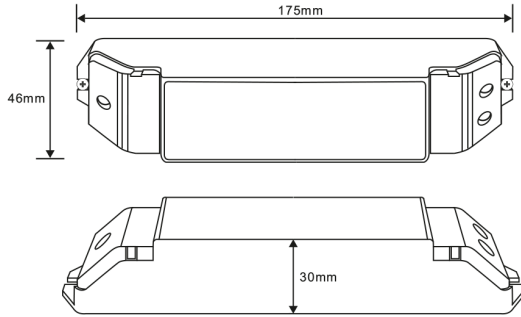
## 3. Basic Features

1. Common anode input and output.
2. Sustain high frequency common anode PWM input signal.
3. Work with RGB controller, DMX512 decoder, LED dimmer for synchronous control, to fulfill abundant color changing.
4. Power loss memory function.

## 4. Safety warnings

- Please don't install this controller in lightening, intense magnetic and high-voltage fields.
- 1.To reduce the risk of component damage and fire caused by short circuit, make sure correct connection
  - 2.Always be sure to mount this unit in an area that will allow proper ventilation to ensure a fitting temperature.
  - 3.Check if the voltage and power adapter suit the controller (please select DC 12-24V power supply with constant voltage)
  - 4.Don't connect cables with power on; make sure a correct connection and no short circuit checked with instrument before power on.
  - 5.Please don't open controller cover and operate if problems occur.
- The manual is only suitable for this model; any update is subject to change without prior notice.

## 5. Dimensions



## 6. Conjunction Diagram

Repeaters connected to RGBW controller :

