

LED DMX WiFi Controller Touch RGBW 4 Zonen - User Manual



Item no.: white: LC-007-034



Item no.: black: LC-007-134

1. Product Description

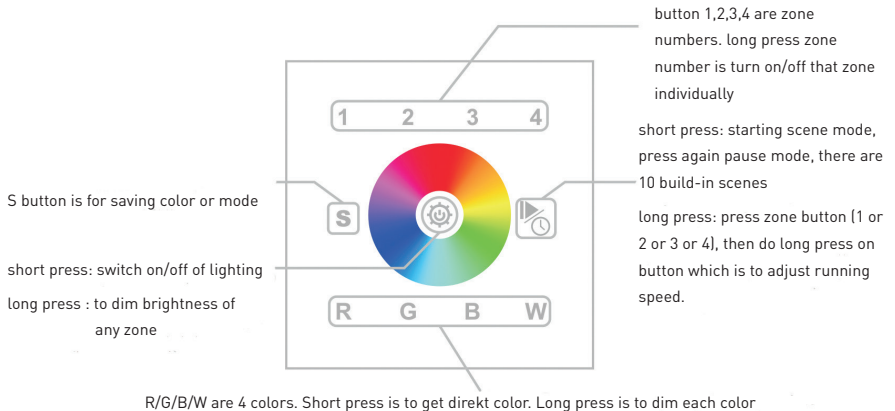
The controller is a touch panel and sends DMX signals to DMX decoder for connection. It has a highly sensitive glass touch panel with which each color or scene can be adjusted. This controller is suitable for any RGB or RGBW LED light and can be controlled via WIFI with IOS/Android software. Mounting on a standard 68mm flush-mounted socket.

2. Performance Para-

Operation Voltage	12-24VDC
Output Signal	DMX512
Product Dimensions (L x W x H in mm)	L 86 x W 86 x H 29,1 mm

3. Button Introduction

Button Function:



4. Operation

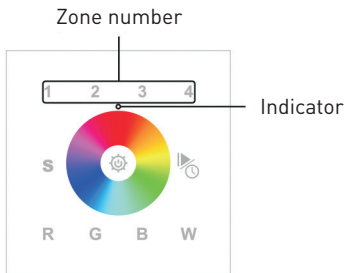
Description of Zone Buttons:

Each Zone have 4 addresses adjusted.

Button 1 have the address 1-4 adjusted, Button 2 have the address 5-8,

Button 3 have the address 9-12, Button 4 have the address 13-16.

In total 16 addresses



After connect well with DMX decoder, please set the DMX decoder address as below

Address 001 - 004 = Zone 1

Address 005 - 008 = Zone 2

Address 009 - 012 = Zone 3

Address 013 - 016 = Zone 4

You control the individual zones of the DMX controller via different DMX addresses

short press zone number is to choose a zone, long press zone number is turn on/off that zone individually

How to save a color or mode:

You can select a zone (eg zone key 1) - Press Select the desired color on the color wheel or the scene mode using the Play / Pause button. Press the „S“ key for 3 seconds until the indicator turns into pink color and thereafter the numbers 1-4 for the desired mode in the selected zone. The LED will flash means the color or mode in the zone saved. Each zone can save 4 colors or modes.

how to get that saved color or mode:

Press desired zone by button 1-4 -> then short press the „S“ key and select the stored mode using keys 1-4, depending on the scene of saved in the zone

5. WIFI connection



1. Download the APP on your Android/IOS System. Open the WIFI connection setting interface and connect your Android/IOS System with the „EASYCOLOR“, „REALCOLOR“ or „EASYLIGHTING“ network.

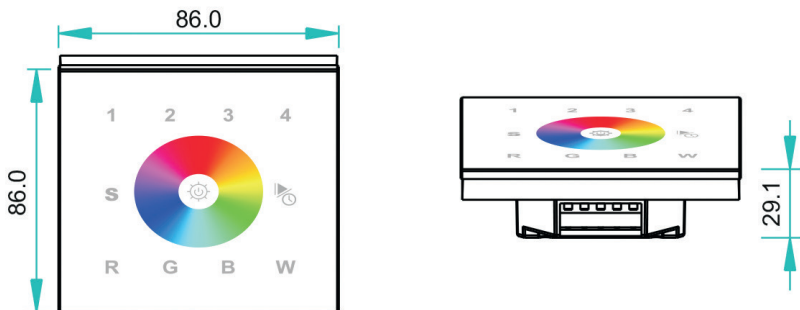
2. Open the network „EASYCOLOR“ you installed, press the setting interface and enter the following:
SSID: EASYCOLOR
IP: 10.10.100.254 :8899
Name: [the name you want or dont enter anything]

3. Activate the WIFI Connection and press back button to go back to main operation system from your Android/IOS System.

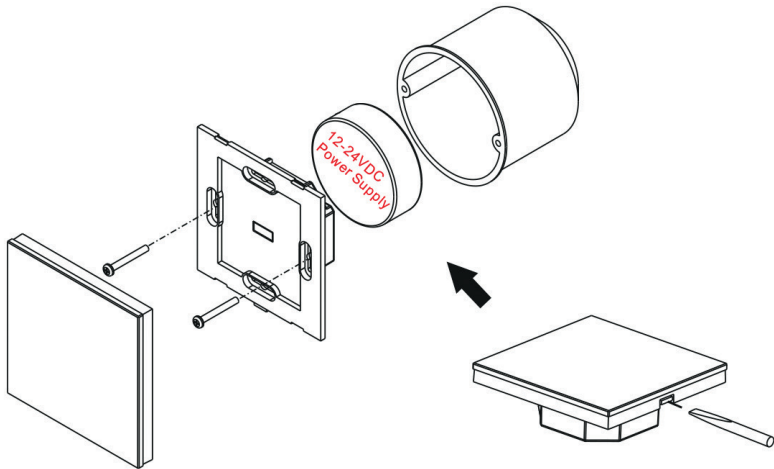
The APP is 8 zone control. so you may set mor zones for the WiFi control as below:

- DMX Adress 001 = Zone 1
- DMX Adress 005 = Zone 2
- DMX Adress 009 = Zone 3
- DMX Adress 013 = Zone 4
- DMX Adress 017 = Zone 5
- DMX Adress 021 = Zone 6
- DMX Adress 025 = Zone 7
- DMX Adress 029 = Zone 8

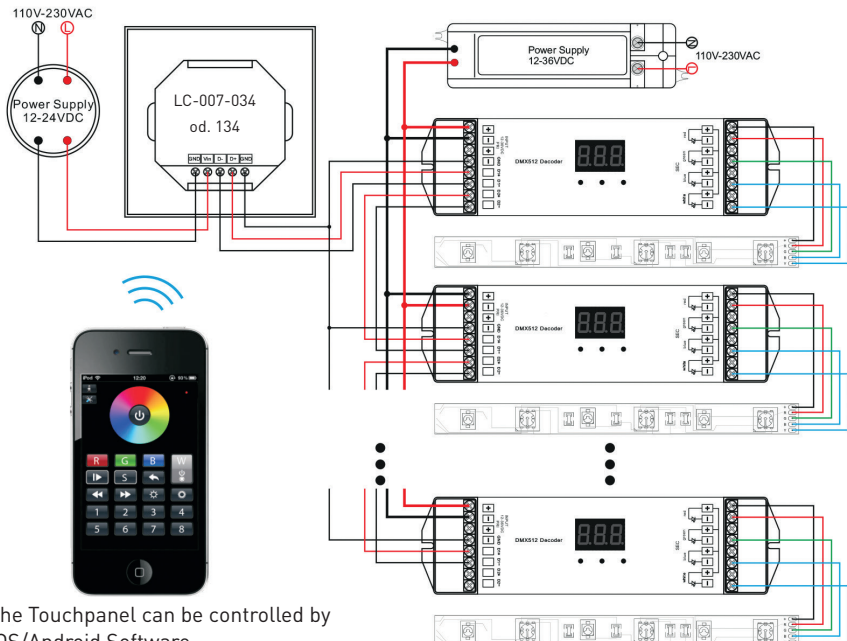
6. Dimensions



7. Installation



8. Conjunction Diagram



The Touchpanel can be controlled by IOS/Android Software

9. Safety warnings

- 9.1. To avoid installed the product in minefield, strong magnetic field and high voltage area.
- 9.2. To ensure the wiring is correct and firm avoiding short circuit damages to components and cause fire.
- 9.3. Please install the product in a well ventilated area to ensure appropriate temperature environment.
- 9.4. The product must be worked with DC constant voltage power supply.
Please check the consistence of input power with the product, if the output voltage of the power comply with that of the product.
- 9.5. Connect the wire with the power on is forbidden. Ensure proper wiring first then check to ensure no short-circuit, then power on.
- 9.6. Don't repair it by yourself whenever an error occur. Contact the supplier for any inquiry.