

LED DMX Controller Touch RGBW User Manual



black: LC-007-124



white: LC-007-024

1. Product introduction

DMX512 Master touch panel (For RGBW) is DMX signal output to connect DMX decoders. It is of high sensitive glass touch panel, and any finishing color could be customized. This wall switch suit for any RGB or RGBW LED lightings for home club bar etc.

2. Performance Parameter

Input voltage-----12-24VDC
Output-----DMX512 signal
Size-----86mm*86mm*35mm

3. Operations

Play&pause button. There is only 1 build-in mode. When you touch this button, it will run.

Brightness Speed down Speed up

Button can save the color from mode or save color when you touch color wheel. In "S" button, it saved "R/ G/ B" 3 colors in default. But with your operation, you can save another 3 colors replace those R/G/B colors.

When you press this button, 1 build-in mode will run, if now you see a favorite color in the mode, then you can press "S" button for 5 seconds until connected lighting flashes. Then it saved successfully.

When you touch color wheel, if you touch a favorite color on it, then you want to save it, then you press "S" button for 5 seconds until the connected lighting flashes. Then it saved successfully.

For Warm white, Natural white, Cool white changing.(Through the three RGB color mixing)

Touching wheels Switch off and on, long press means default setting

Short press means switch on and off for each channel. 1st Long press means brightness+, 2nd Long press means brightness—.

At the corner of the panel there is a signal light, Blue means on, Red means off

Set the address:

One DMX has 40 addresses, 001 005 009 013037.

001=1,2,3,4=RGBW

005=5,6,7,8=RGBW

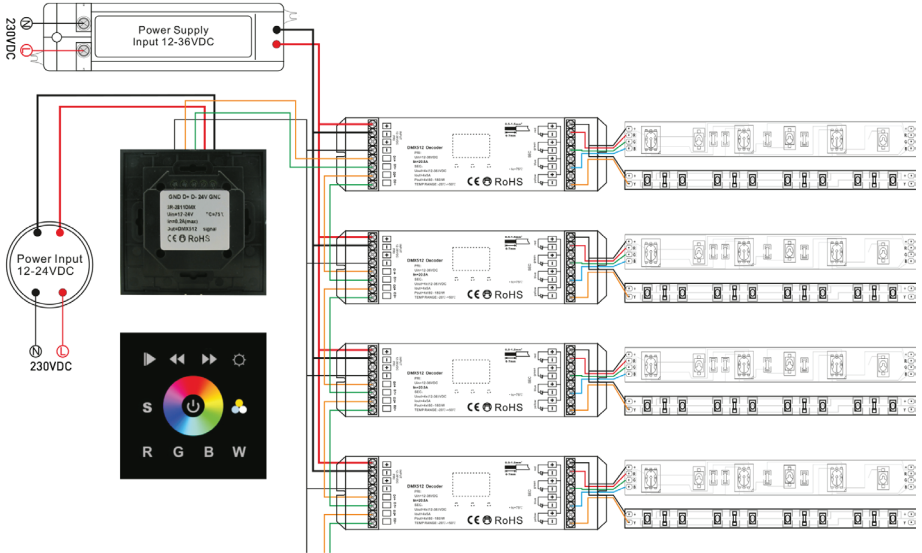
009=9,10,11,12=RGBW

.....

037=37, 38, 39, 40=RGBW

We may set any address(same or different) from 001 005 009-037.

4. Wiring diagram



5. Installation

