

# LED DMX Controller Mono 4 Zone - User Manual



Item No.: LC-007-401

## 1. Product Introduction

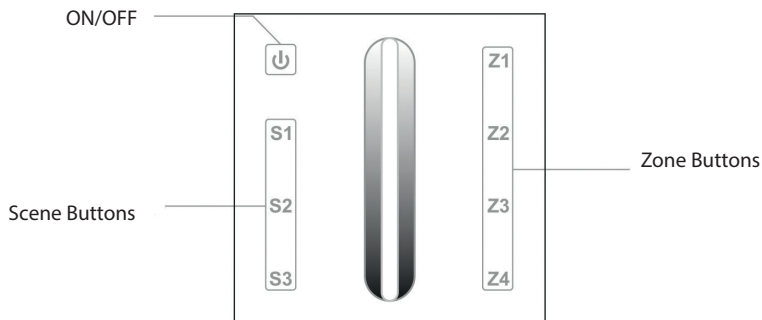
The controller is a touch panel and sends DMX signals to connect with DMX decoder.

The controller can control 4 zones via 4 DMX channels. It has a highly sensitive glass touch panel with backlight with which each color can be adjusted. This controller is suitable for any LED Mono Flexstrip. Mounting on a standard 68mm flush-mounted socket.

## 2. Performance Parameter

Operation Voltage:	12-24VDC
Operation Frequency:	DMX512 Signal / 434MHz/868MHz
Dimensions: (L x W x H in mm)	86 x 86 x 29,1 mm

## 3. Operations



## 1. Learning ID with RF Receiver:

Click learning button on RF Receiver

Short Touch a zone button Z1, Z2, Z3 or Z4

Touch the dimming slider

The light flick means ID learnt successfully.

Touch zone button Z1, Z2, Z3 or Z4 separately over 2 seconds, which will turn ON/OFF separately.

The backlight blue is ON for the zone, yellow is OFF for the zone.

Notice: Each sender can control 4 different zones separately, each zone can be learned endless receivers, so one sender can control as many receivers as you can.

## 2. Scene save and play:

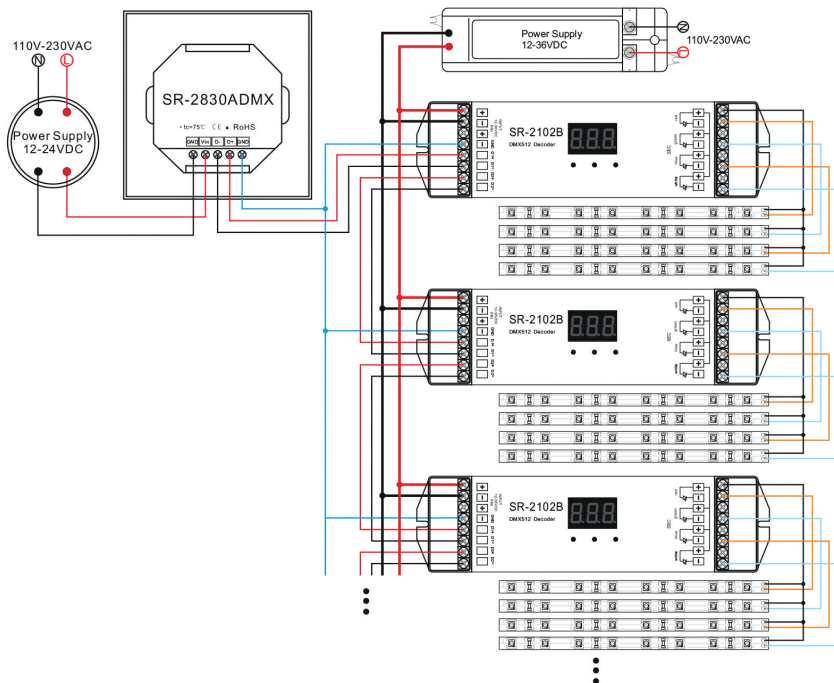
Save: touch dimming slider to get a color

Hold any button of S1, S2 or S3 over 2 seconds (4 zones work together)

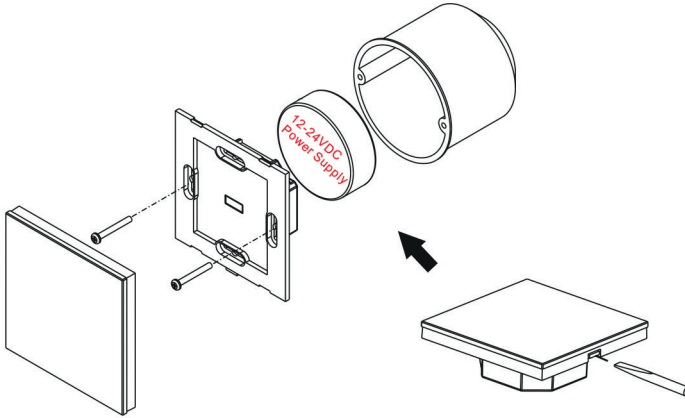
The light flick means successfully saved.

Replay: Short touch button on S1, S2 or S3 -> Replay the scene just saved.

## 4. Conjunction Diagram



## 5. Installation



## 6. Safety Warnings

- 6.1. To avoid installed the product in minefield, strong magnetic field and high voltage area.
- 6.2. To ensure the wiring is correct and firm avoiding short circuit damages to components and cause fire.
- 6.3. Please install the product in a well ventilated area to ensure appropriate temperature environment.
- 6.4. The product must be worked with DC constant voltage power supply.  
Please check the consistence of input power with the product, if the output voltage of the power comply with that of the product.
- 6.5. Connect the wire with the power on is forbidden. Ensure proper wiring first then check to ensure no short-circuit, then power on.
- 6.6. Don't repair it by yourself whenever an error occur. Contact the supplier for any inquiry.