

# LED DMX Controller Touch DW 4 Zone - User Manual



Item-No.: LC-007-402

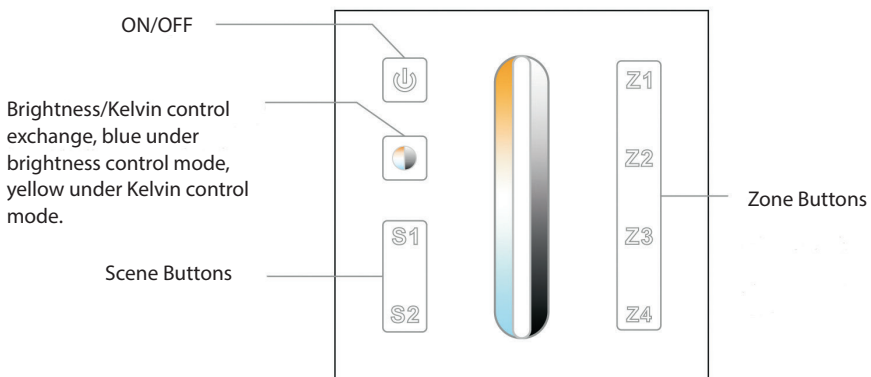
## 1. Product Introduction

The controller is a touch panel and sends DMX signals to connect with DMX decoder. The controller can control 4 zones via 4 DMX channels. It has a highly sensitive glass touch panel with backlight with which Cold,- and Warmwhite can be adjusted. Also it is possible to save 2 Scenes for each Zone or for all Zones together. This controller is suitable for any LED Dynamic Flexstrip. Mounting on a standard 68mm flush-mounted socket.

## 2. Performance Parameter

Operation Voltage:	12-24VDC
Operation Frequency:	DMX512 Signal
Dimension: (L x W x H in mm)	86 x 86 x 29,1 mm

## 3. Operations



### 1. Switch:

Touch on/off button, all zones on/off, Blue when playing. Yellow when off.

Once turn on, the default setting is under brightness control mode.

Touch zone button Z1, Z2, Z3 or Z4 separately over 2 seconds, which will turn ON/OFF separately.

The backlight blue is ON for the zone, yellow is OFF for the zone.

### 2. Scene save and play:

Save: touch dimming slider to get a color

Hold any button of S1 or S2 over 2 seconds (4 zones work together)

The light flick means successfully saved.

Replay: Short touch button on S1 or S2 -> Replay the scene just saved.

The 4 channels have following configuration:

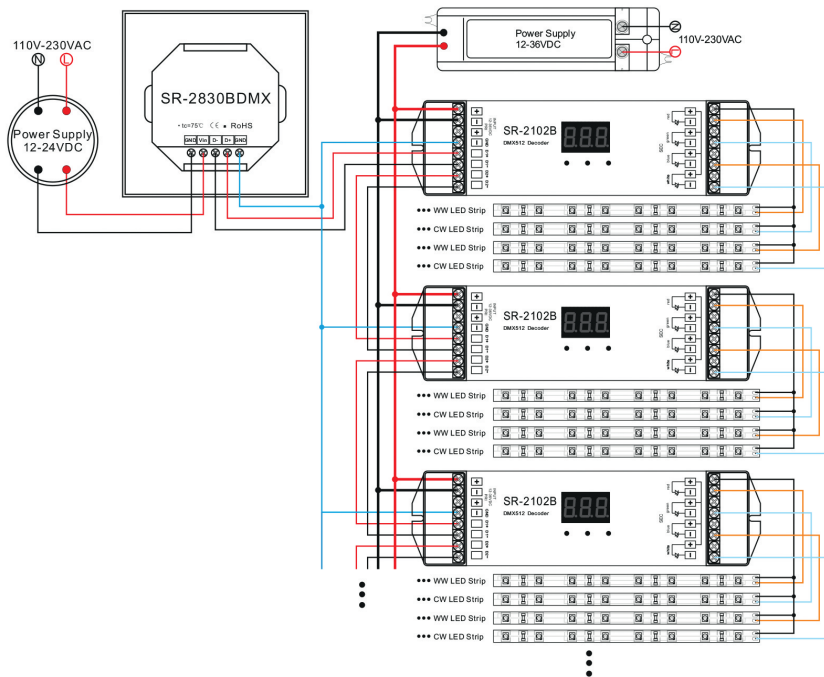
Channel 1: Zone 1 + 3 warmwhite, Zone 2 + 4 coldwhite

Channel 2: Zone 5 + 7 warmwhite, Zone 6 + 8 coldwhite

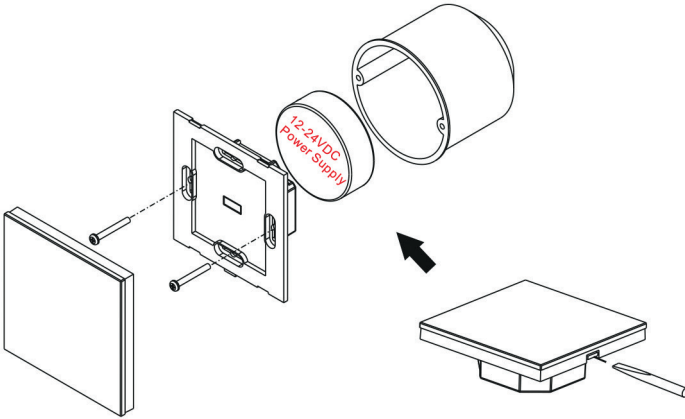
Channel 3: Zone 9 + 11 warmwhite, Zone 10 + 12 coldwhite

Channel 4: Zone 13 + 15 warmwhite, Zone 14 + 16 coldwhite

### 4. Conjunction Diagram



## 5. Installation



## 6. Safety Warnings

- 6.1. To avoid installed the product in minefield, strong magnetic field and high voltage area.
- 6.2. To ensure the wiring is correct and firm avoiding short circuit damages to components and cause fire.
- 6.3. Please install the product in a well ventilated area to ensure appropriate temperature environment.
- 6.4. The product must be worked with DC constant voltage power supply.  
Please check the consistence of input power with the product, if the output voltage of the power comply with that of the product.
- 6.5. Connect the wire with the power on is forbidden. Ensure proper wiring first then check to ensure no short-circuit, then power on.
- 6.6. Don't repair it by yourself whenever an error occur. Contact the supplier for any inquiry.