

LED DMX Controller Mono - User Manual



Item no.: white LC-007-001



Item no.: black LC-007-101

1. Product Description

The LED DMX Controller Mono is a Wall Mounted Rotary Dimmer switch with 256 levels logarithmic dimming from 1-100% and works with DMX Signals to connect to DMX Decoders. Simple and friendly use for dimming and switching ON/OFF for 1 zone controlled.

2. Performance Parameter

Input Voltage:	12-24VDC
Output Signal:	DMX512 Signal
Product Dimensions : (L x W x H in mm)	86 x 86 x 29,1 mm

3. Operations

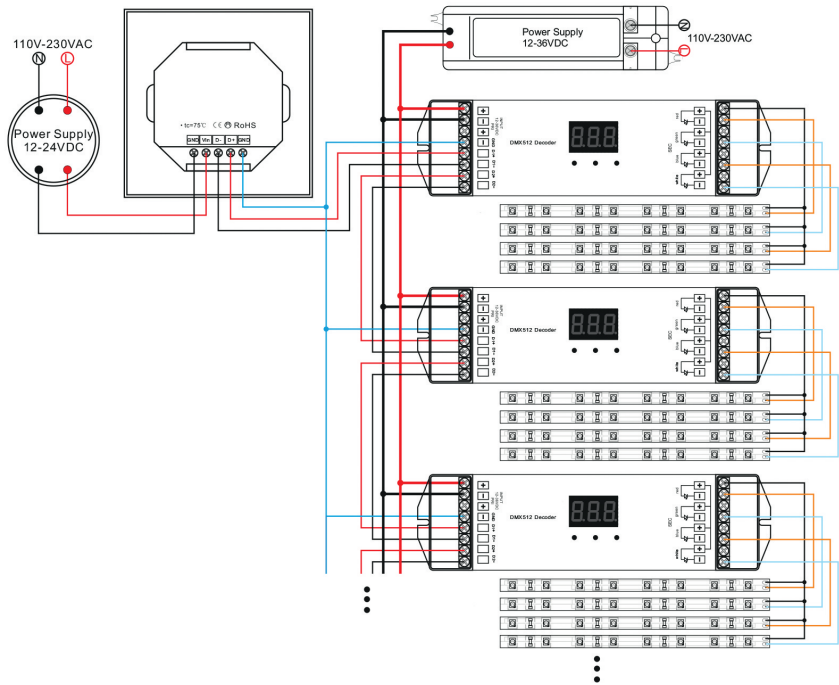
Please pair remote and receiver, after finishing connecting receivers with LED lights correctly, based on wiring diagram as per point 4.

Short push rotary button to switch ON/OFF.

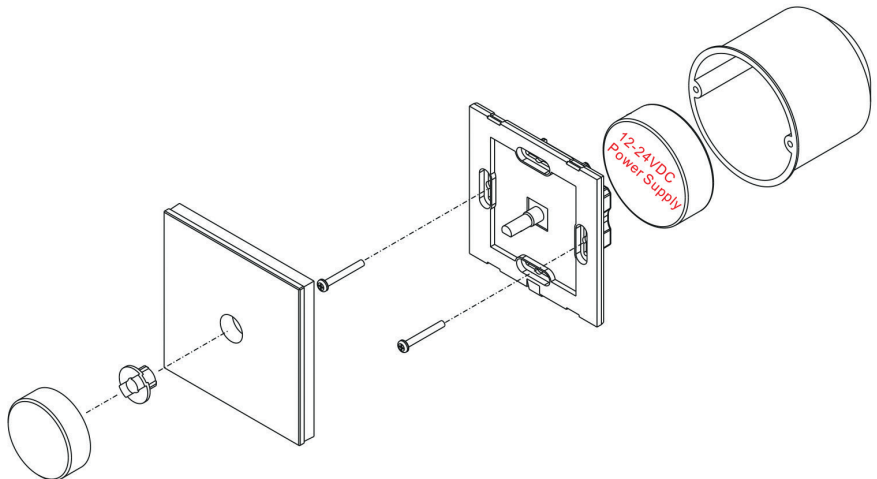
Adjust dim brightness by the rotary button from left to right 1-100%.

Adjust dim brightness by the rotary button from right to left 100-1%.

4. Wiring Diagram



5. Installation



6. Safety Warnings

- 6.1. To avoid installed the product in minefield, strong magnetic field and high voltage area.
- 6.2. To ensure the wiring is correct and firm avoiding short circuit damages to components and cause fire.
- 6.3. Please install the product in a well ventilated area to ensure appropriate temperature environment.
- 6.4. The product must be worked with DC constant voltage power supply.
Please check the consistence of input power with the product, if the output voltage of the power comply with that of the product.
- 6.5. Connect the wire with the power on is forbidden. Ensure proper wiring first then check to ensure no short-circuit, then power on.
- 6.6. Don't repair it by yourself whenever an error occur. Contact the supplier for any inquiry.