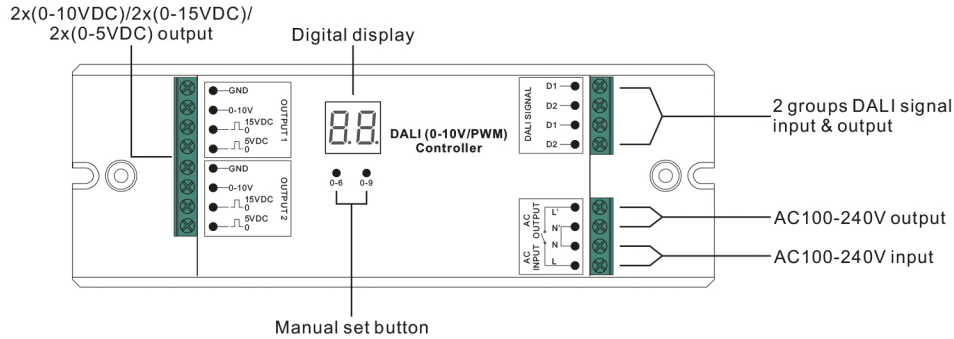


DALI 0-10V/PWM Dimmer



Important: Read All Instructions Prior to Installation

Function introduction



Product Data

Input Voltage	Input Current	Output Power	Size(LxWxH)
100-240VAC	60mA max	2x(0-5VDC)/2x(0-10VDC)/2x(0-15VDC)	170x59x29mm

- Radio Frequency : 868mhz
- Waterproof grade: IP20

- Compatible with different DALI controllers
- To dim and switch Single color LED lighting.
- Waterproof grade: IP20

Safety & Warnings

- DO NOT install with power applied to device.
- DO NOT expose the device to moisture.

Operation

Setting DALI address



- 1.1. Press and hold down any of the two buttons until numeric digital display flashes, then release the button.
- 1.2. Click any of the two buttons once to select a digit, click again to change the digit until the desired DALI address appears. Click first button to set "tens" position and second button to set "units" position. The address can be set from 00~63.
- 1.3. Then press and hold down any of the 2 buttons until the numeric digital display stops flashing to confirm the setting.

Note: DALI address can be manually assigned from 00-63-FF, by factory defaults, no DALI address is

assigned for the dimmer, and the display shows **FF**. Setting DALI address as **FF** will reset the dimmer to factory defaults.

DALI Address Assigned by DALI Masters

DALI address can also be assigned by DALI Master controller automatically, please refer to user manuals of compatible DALI Masters for specific operations.

Note: The digital display will show **AU** When the DALI master is assigning addresses.

Wiring Diagram

