

# LED DMX Repeater and Splitter - User Manual



Item no.: LC-009-202

## 1. Product Introduction

Welcome to use the DMX512 signal amplifier, which is developed for shaping and enlargement the attenuated of the DMX512 signal after the long-distance transmission. It has two output channels; there is optical isolation between the input and output, each interface has an independent electrical isolation, there is wrong wiring protection at DMX input and output port, to avoid the interference to the DMX512 control system, guarantee the DMX signal can transmit to all the lighting control equipment, and improving the overall reliability of digital lighting control system.

## 2. Specifications

Input Voltage	12-24VDC
Input Signal	DMX512/1990
Output Signal	DMX512/1990
Input/Output Channel	1 Input Channel, 2 Output Channels
Input/Output Isolated Voltage	3000VDC
DMX Signal Socket	Terminal block
Dimensions (L x W x H in mm)	176 x 46 x 30mm
Weight	140g

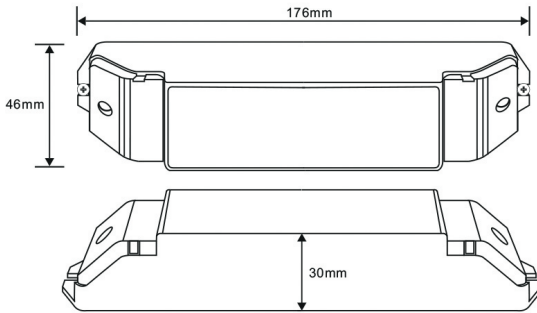
## 3. Basic Features

1. Working voltage from DC12V-DC24V.
2. Optical isolation between the input and output
3. Input and output standard DMX512 signal.
4. Amplify the DMX512/1990 signal and extend signal transmission distance.
5. One input channel, two independent electrical isolation signal output.
6. 3000VDC Isolation voltage 3000VDC.
7. Wrong wiring protection at DMX input and output port.

## 4. Safety Warnings

- 6.1. To avoid installed the product in minefield, strong magnetic field and high voltage area.
- 6.2. To ensure the wiring is correct and firm avoiding short circuit damages to components and cause fire.
- 6.3. Please install the product in a well ventilated area to ensure appropriate temperature environment.
- 6.4. The product must be worked with DC constant voltage power supply. Please check the consistence of input power with the product, if the output voltage of the power comply with that of the product.
- 6.5. Connect the wire with the power on is forbidden. Ensure proper wiring first then check to ensure no short-circuit, then power on.
- 6.6. Don't repair it by yourself whenever an error occur. Contact the supplier for any inquiry.

## 5. Dimensions



## 6. Conjunction Diagram

