

LED DALI Expander - User Manual



Item no.: LC-004-164

1. Product Description

The DALI Expander is a device for simple DALI circuit expansion with integrated Bus power supply. Facilitates the control of 64 DALI devices with only one DALI address. All DALI devices will be selected on the same way (broadcast).

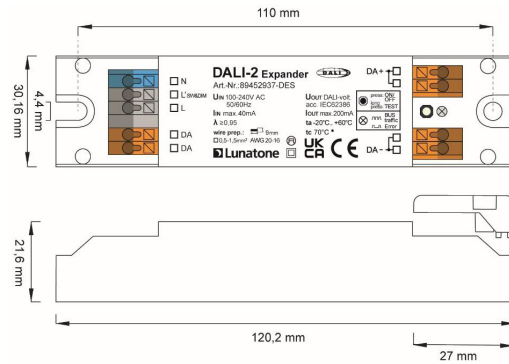
2. Specifications

Power Supply	100V - 240V AC
typ. current consumption DALI input (DALI IN)	2 mA
output (DALI OUT), power supply	250 mA
input/output	DALI/DALI
max. wire cross-section	max. 1,5mm ²
Product Dimensions (L x W x H) in mm	120 x 30 x 22mm
Weight	47g

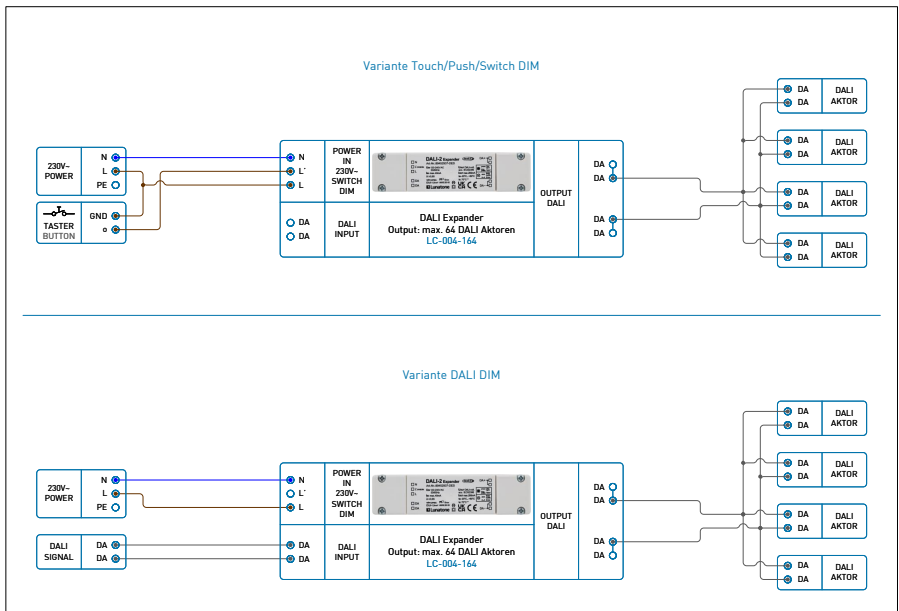
3. Description

1. Device for simple DALI circuit expansion.
2. Control of several DALI-devices via one DALI-address
3. For the superordinate DALI circuit the DALI expander acts as a DALI EVG (DALI IN) with a single address.
4. Output (DALI OUT) with DALI power supply (200mA) for the supply of DALI EVG's and DALI control modules.
5. Forwarding Broadcast-commands received at the input (DALI IN) to the output (DALI OUT)
6. Alternative control options of the DALI-output circuit via Switch&Diminput (Broadcast).
7. Galvanic separation between DALIcircuits.
8. Multiple DALI-terminals

4. Dimensions



5. Wiring Diagram



6. Safety warnings

- 6.1. To avoid installed the product in minefield, strong magnetic field and high voltage area.
- 6.2. To ensure the wiring is correct and firm avoiding short circuit damages to components and cause fire.
- 6.3. Please install the product in a well ventilated area to ensure appropriate temperature environment.
- 6.4. The product must be worked with DC constant voltage power supply.
Please check the consistence of input power with the product, if the output voltage of the power comply with that of the product.
- 6.5. Connect the wire with the power on is forbidden. Ensure proper wiring first then check to ensure no short-circuit, then power on.
- 6.6. Don't repair it by yourself whenever an error occur. Contact the supplier for any inquiry.